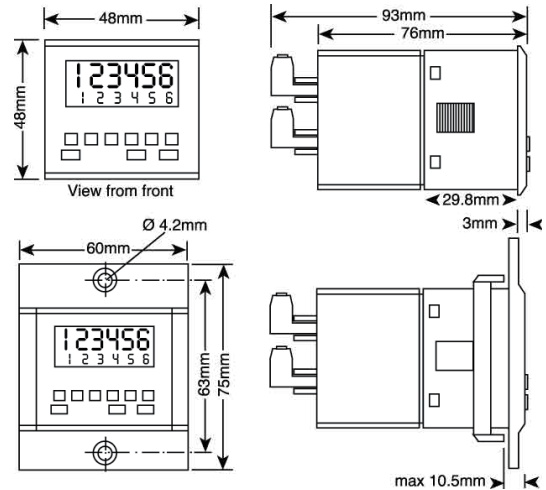


7922 Electronic Predetermining Counter with Quadrature Input



6 digit supertwist LCD programmable preset counter with prescaler, quadrature input and EEPROM data storage in an IP65 (NEMA4X) DIN case.

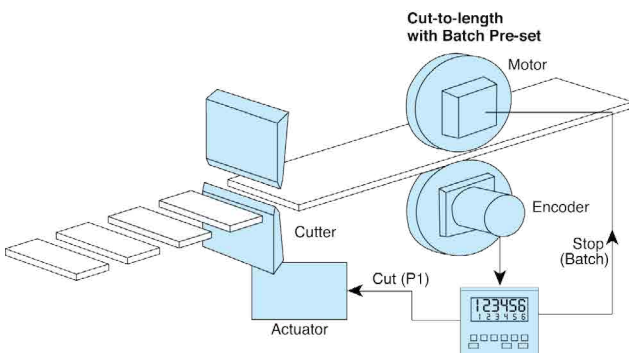
This versatile counter with prescaling can be configured for quadrature or uni-directional inputs, dual preset or single preset with batch preset. Reset can be automatic, manual or electronic with a sink (NPN) or source (PNP) input.

The display is a supertwist high visibility backlit LCD which can be viewed from any angle. The count is on the main display and the preset value (or batch preset) is on the lower display.

Features

- Simple programming via menu driven display
- Quadrature input
- High visibility supertwist LCD display can be viewed from any angle
- Backlight programmable ON, OFF or AUTO
- 40 years data retention with no power
- Programmable decimal point up to 3 places
- Operates from 85-265VAC or 10-26VDC
- 12VDC output to drive a sensor (when AC powered)
- Opto-isolated inputs
- Wide range of prescaling
- Output relay contacts rated at 5A
- Output can be set to latch or pulse with programmable pulse duration
- Environmental protection to IP65
- Standard DIN housing
- CE, UL and cUL approved

All programming, reset and presetting can be carried out from the front panel. When powered from an AC supply, there is a 12VDC output to drive a sensor. The key below each digit sets the P1 or P2 (or batch) preset value on the lower display. The red reset key resets the display count to zero or P1 (according to programming). In normal operation the colon illuminates whenever relay 1 is active. In P2 Set mode the colon illuminates whenever relay 2 is active.



Specification

Supply Voltage	85 - 265VAC or 10 - 26VDC at 100mA
Auxiliary Output Supply	12VDC \pm 10% @ 100mA (when operating from AC supply)
Display	<ul style="list-style-type: none"> • 2 rows of 6 digits, supertwist LCD with yellow/green LED backlight. Upper row 7mm (0.28in) high indicates count, lower row 4mm (0.16in) high indicates P1/P2 preset point. • Also Relay 1 Active annunciator
Backlight Control	Programmable to Always ON, Always OFF or AUTO (ON for 30s following last keypress)
Preset Points	Two user selectable preset points 1 - 999999
Count Inputs	<ul style="list-style-type: none"> • Voltage Opto-isolated 10 - 30VDC • Quadrature and uni-directional • Input A (quadrature and uni-dir. count) NPN or PNP • Input B (quadrature and UP/DOWN in uni-dir. mode) • Maximum input frequency 10kHz • Duty cycle Maximum 60:40 or 40:60 mark/space ratio • Prescaler Multiply 0.00001 - 9.99999, default 1.00000 • Divide 1 - 99999, default 00001
Manual Reset	Can be disabled on installation or remotely reset
Remote Reset	Contact closure or pulse (15 ms response time)
Automatic Reset	Programmable for automatic or Manual/Remote reset
Data retention	40 years minimum
Output Relays	<ul style="list-style-type: none"> • One SPDT relay programmable as NO or NC • One SPST relay programmable as NO or NC • Contact Rating 5A 260VAC/30VDC 1300VA/150W
Operating Temp.	-10°C to +60°C [14°F to 140°F]
Storage Temp.	-20°C to +70°C [-4°F to 158°F]
Environmental Protection	IP65 (NEMA4X) when properly installed using the sealing gasket supplied (without bezel)

Ordering Information

7922 - 6 digit electronic predetermining counter