



7111 | 7111QUAD | 7111HV

The new 7111 series counter is feature packed and with a price performance ratio unrivalled, suitable for thousands of applications.

Features

- Use of the latest CMOS circuitry achieves an expected battery life of 10 years.
- Connection using built in screw terminals (on all models).
- 9mm black character high contrast LCD display.
- Backlight (externally powered) 5VDC.
- Counting up to 10kHz. (7111)
- 7111QUAD version quadrature signal compatible. This permits add / subtract counting in step with forward / reverse motion without count loss or gaining spurious counts.
- 7111HV permits triggering from any voltage between 10-240VAC or 5-110VDC $\pm 10\%$.
- Contact closure/open collector low speed count input with integral de-bounce circuitry (7111 model).
- Choice of mounting available, front panel with supplied bezel or rear mounting clip.
- Front panel can be sealed to IP65.
- Installation is simplified - all models have screw connections on rear for quick and simple connection.
- UL and cUL pending.

General Specifications

Battery Non-replaceable Lithium battery, expected life 10 years at 20°C

Display 8 digit black LCD, 9mm characters, leading zero blanking, backlight requires external 5VDC supply. Configurable decimal place upto 3 dec place (jumper link configured).

Count Range 99999999 - rollover to 0

Connections Finger-proof screw connections for cables up to 1.5mm²

Operating temperature -10°C to +60°C

Storage temperature -20°C to +60°C

Altitude Up to 2000m

Relative Humidity 80% max up to 31°C, decreasing to 50% max at 40°C

Sealing IP65/NEMA4X

Mounting Either with clip mount supplied or two front screws with bezel supplied.

Manual Reset Enable Configured by jumper link

Packed Weight 62 grammes

Box Dimensions 56mm x 44mm x 62mm

7111 Bi-directional totalising Counter.

7111QUAD Totalising counter with quadrature inputs.

7111HV Bi-directional totalising counter with high voltage inputs.

Individual Product Specifications

Power Supply (7111QUAD)

External power supply to power internal count input circuits 10-30VDC

External Reset (7111 | 7111QUAD)

Contact closure/open collector, negative edge triggered, 0.7v threshold, 15mS minimum closure time.

Direction Input (7111)

Connection or electronic input TTL/CMOS compatible. Add=no connection or $>2.4v$ (logic 1); Subtract=connect to COMMON or $<0.7v$ (logic 0). Direction input must precede count input by 5 μ S (minimum) for valid operation.

Low Speed Count Input (7111)

Contact closure/open collector with integral de-bounce circuitry. 30Hz maximum, negative edge triggered, 0.7v threshold, 15mS minimum closure time. Max 18VDC.

High Speed Count Input (7111)

Electronic input 10kHz maximum, negative edge triggered, 0.7v threshold 50 μ S minimum pulse length, TTL/CMOS Compatible. Max 18VDC.

Quadrature Signal Inputs (7111 QUAD)

Electronic input less than 2.5kHz maximum, negative edge triggered, 0.7v threshold 200 μ S minimum pulse length, TTL/CMOS Compatible.

External Reset (7111HV)

5-110VDC $\pm 10\%$, 10-240VAC $\pm 10\%$, 50mS minimum length.

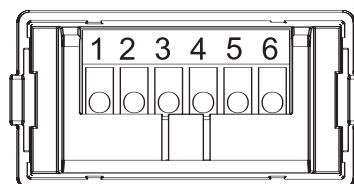
Direction Input (7111HV)

Connection or electronic input TTL/CMOS compatible. Add=no connection or $>2.4v$ (logic 1); Subtract=connect to COMMON or $<0.7v$ (logic 0). Direction input must precede count input by 5 μ S (minimum) for valid operation. Max 18VDC.

Count Input (7111HV)

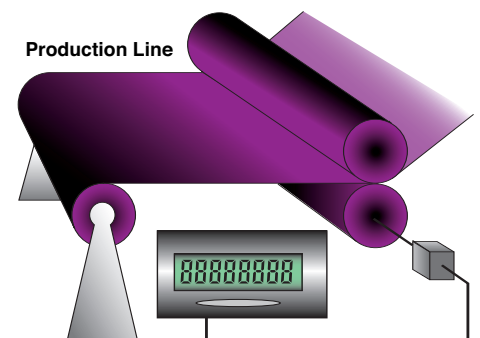
5-110VDC $\pm 10\%$, 10-240VAC $\pm 10\%$, 50mS minimum pulse width, 10Hz.

Rear view screw terminal connections.

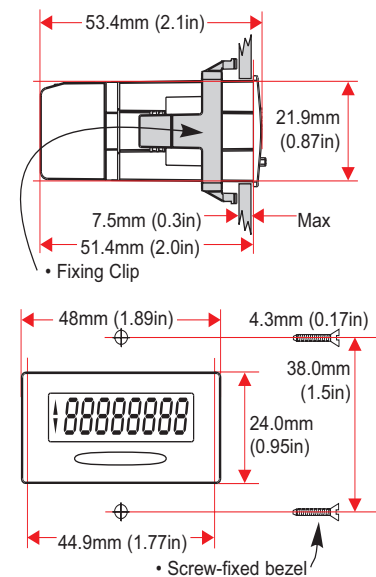


Typical Applications

- Replacement for electro-mechanical counters.
- Applications where external power is not readily available.
- Position, length, rotation and distance measuring applications.
- Event counting



Product Dimensions



Panel cutout 45mm x 22.5mm (0.771" x 0.885")

ORDER INFORMATION

Order by type numbers of counter:

7111 Totalising counter

7111QUAD Up/Down with quad IP's

7111HV Counter with HV inputs